

VertaCat

QUICK OPERATION GUIDE

QUICK REFERENCE GUIDE



NEVER get on or off the VertaCat with the power ON.
DO NOT wear loose clothing or accessories.

BEFORE YOU START:

- Know the controls BEFORE starting.
- New users should practice in Low Speed mode in an open area.
- Be aware of the back end while turning, make sure to have at least 5 feet of clearance while the back end swivels.
- There is a key switch for main power in the left or right cubby, depending on your configuration.
- A full charge on a new battery has roughly a 15 mile range, or 18 holes of golf.

BASIC OPERATION

- The joystick control operates in a proportional manner.
- The farther you push it in the direction you wish to go, the faster you will go (in your speed setting.)
- The joystick also rotates, which will pivot the VertaCat in the direction the control is rotated.
- Make sure the area is clear behind you before turning, as the back end will swing wide.

BUTTON FUNCTIONS: (From top left to lower right)

HORN: This button will sound the horn.

POWER: This button will turn the VertaCat off and on.

CHAIR UP: This button will raise the seat to the standing position.

LIGHTS: This button will turn the head lights on and off.

SPEED: This button will toggle between the lowest speed setting (left light) to the highest speed setting (right light).

CHAIR DOWN: This button will lower the seat to the sitting position.

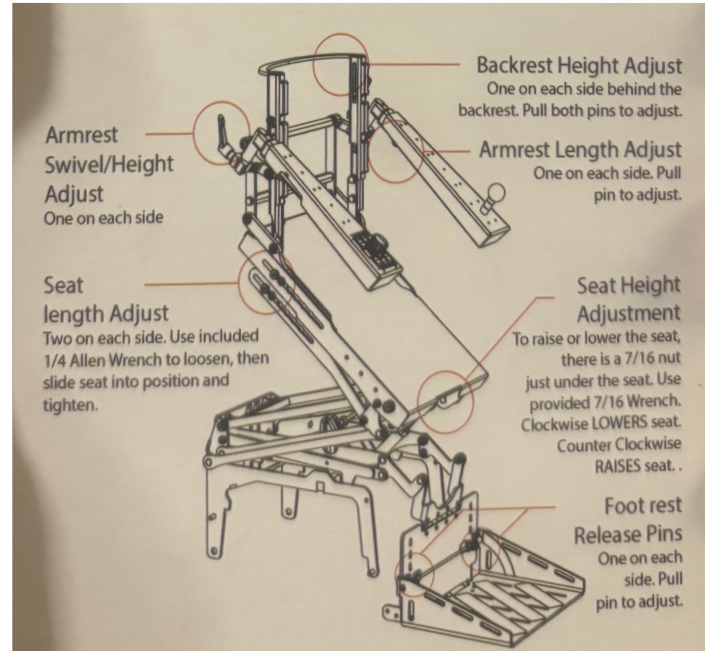


CAUTION WHEN USING THE HIGH SPEED SETTING!

Only utilize high speed on flat areas & unrestricted environments

SEAT & ARMREST ADJUSTMENTS

It is recommended that power be turned off during these adjustments. Use the included 1/4 allen wrench & 7/16 wrench.



VERTACAT CONTROL PANEL

